

High Physical Security

Holding force 1,000kg - automatic deadlocking
Bolt throw 16mm

Robust Construction

All stainless steel bolt of 12.7mm diameter, linkages and springs. 3mm stainless steel faceplate and strike plates with fully enclosed mechanism.

Versatile Installation

Designed to provide concealed high security locking on any single or double action, hinged or sliding door in timber or metal for vertical or horizontal mounting.

Slimline Dimensions

210mm(L) x 25mm(W) x 42mm(D)
Back box 164(L) x 22mm(W) x 39mm(D)

Faceplates

Radius and square ended available

Multiple Voltage Input

Any voltage from 12vDC -10% to 24vDC +15%. Complete with built in transient and reverse polarity protection and continuously rated solenoid.

Low Current Consumption

Volts	Current - Activate	Current - Hold (after 200ms)
12v DC	1050mA	210mA
13.8v DC	1220mA	185mA
24v DC	900mA	80mA
27.6v DC	1000mA	75mA

Dual Monitoring

Bolt and Door position switches

Built-in Access Control Module

Automatic unlock period - 8 seconds
Multiple auto relock function - PTL
Multiple unlock function - PTO

Accessories

Surface mounting kit in stainless steel

Approvals

CE - BS EN 50081-1 and BS EN 50082-1

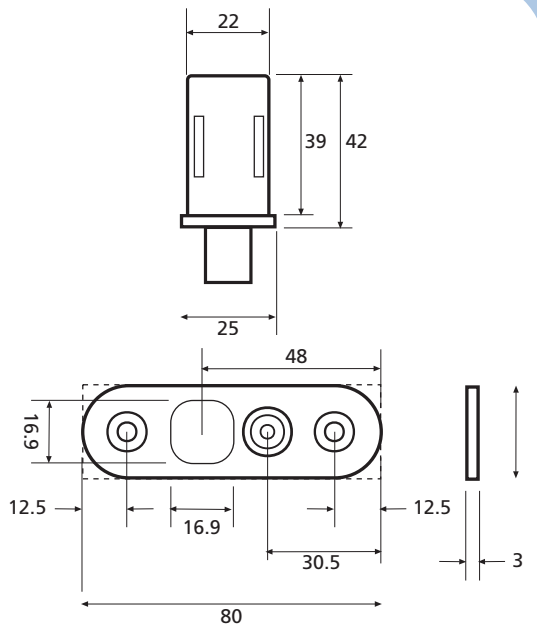
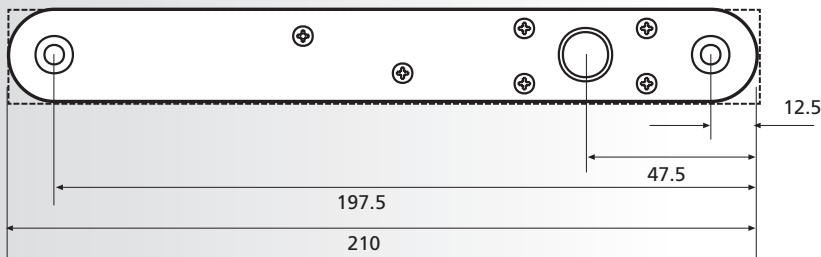
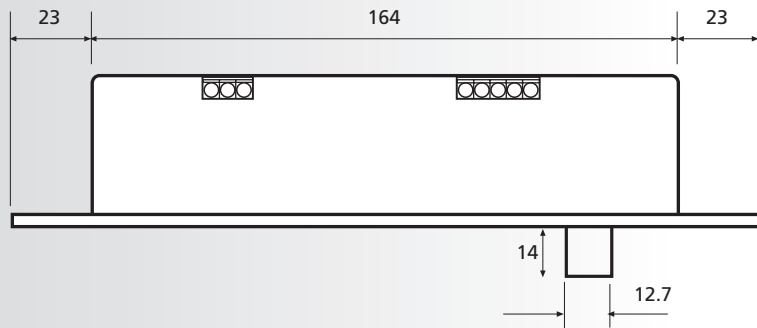


The TRIMEC TB25 incorporates the latest design innovations to be applied to the manufacture of a transverse action deadlocking Solenoid Bolt. The Ultra-slim design of the TB25 enables fixing into very narrow sections whilst an advanced microprocessor module provides power reduction allowing for continuous operation without heat generation as well as automatic voltage regulation, dual monitoring and access control features.



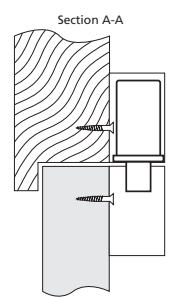
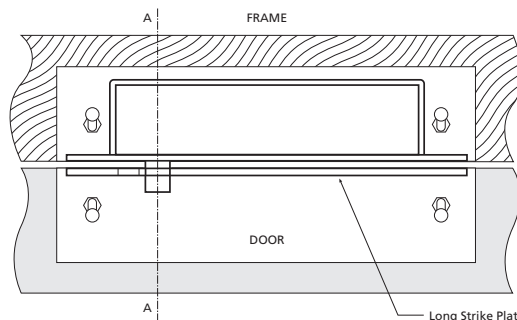
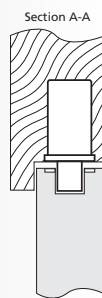
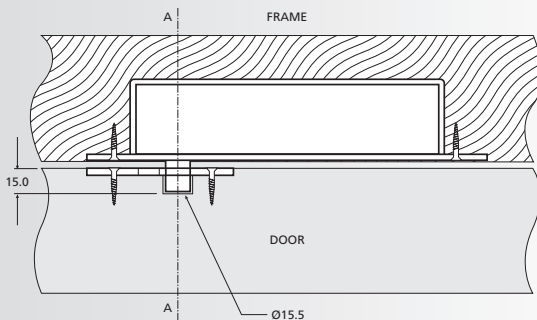
First Choice for Locking Solutions

T 01202 676262 F 01202 680101 E info@iecltd.co.uk W www.iecltd.co.uk



Normal fixing

Surface mount kit - stainless steel



Housing dimensions 225mm(L) x 27.4mm(W) x 46.5mm(D)

Built-in Access Control Module

Automatic unlock period - a fixed 8 second period operates once the bolt is signalled to unlock. This enables traffic exiting 8 seconds in which to open the door before it automatically relocks. See Anti-Tailgate.

Multiple auto relock function - when relocking the bolt makes 8 locking attempts over 16 seconds. Change in the Bolt Position Switch status indicates that the door has been locked. Fail open models only.

Multiple unlock - in fail secure mode - 5 attempts to unlock door at 1.6 second intervals.

Anti-Tailgate - once the door has been pushed open and closed during the 8 second unlock period, the bolt will immediately relock.

Ordering Information

DESCRIPTION	FUNCTION	CODE	FUNCTION	CODE
Slimline Solenoid bolt 12/24v DC	Fail Open - Power to Lock	TB25 PTLOCK*	Fail Secure - Power to Open	TB25 PTOPEN*
ACCESSORIES	FINISH	CODE		
Surface mounting kit	Stainless steel	TB25/SMH-KIT		

*Square corner face plate option - add 'S' to code e.g. TB25S PTLOCK.



International Engineering Company Ltd Harwell Rd Nuffield Estate Poole BH17 0BD Great Britain
The Distributor with the difference

Registered in England 1925337
© April 2005 IEC. All rights reserved. All dimensions are nominal and subject to tolerances



T 01202 676262
F 01202 680101
E info@iecltd.co.uk
W www.iecltd.co.uk

Cont. No. RS 00117