

ES150 Series Surface Mounted Electric Strike

General Description

ES150 is a surface mounted electric strike suitable for use with rim or surface type dead latches. This strike is easy to install and can be simply controlled by a keypad, keyswitch or integrated into any access control system.

ES150 offers high levels of security and features usually provided by more expensive electric locking solutions. The electric strike can be easily installed on steel and wooden door frames. A weather resistant version is also available for exterior applications.

Key Features

- Fail safe/fail secure changeable on site
- Easy installation suitable for steel and wooden door frames
- Stainless steel striker for extra strength and durability
- Available in 12 or 24Vdc
- Solenoid rated for continuous use
- IP56 weather resistant version available
- **TRICARE**® 5 Year Warranty


Applications

- Surface or rim mounted applications
- Suitable for use with all access control systems
- Exposed areas (weather resistant model only)

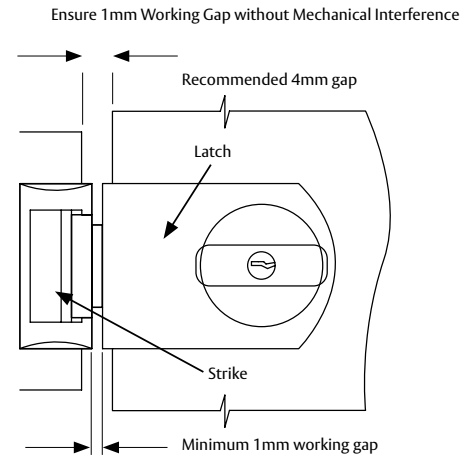
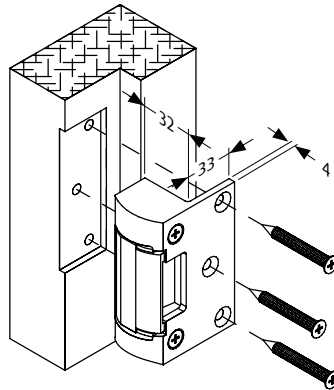
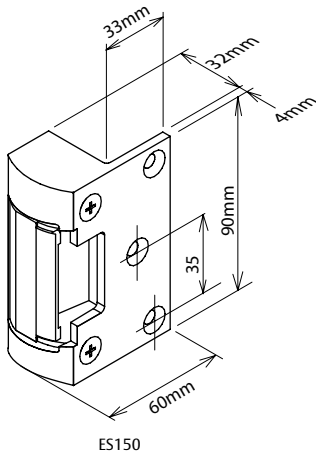


Standards and Compliance

 CE Approved

 C-Tick Certified

ES150 Series Surface Mounted Electric Strike



ES150 Technical Information

Voltage	12 or 24Vdc
Current	243mA @ 12Vdc - 187mA @ 24Vdc
Solenoid	Solenoids rated for continuous use
Monitoring	None
Holding Force	680kg Static Strength Rating
Endurance	Cycle tested to 1,000,000 operations
Environment	Operational temperature range - 20°C to +60°C Weather resistant construction available (IP56)
Body	Solid Stainless Steel Construction
Keeper	Stainless Steel
Latch	Suit 15mm latch bolt with 3 mm door gap

Ordering Information

Product Description	Part Number
12V Fail Safe Surface Rim Strike	110151-000
12V Fail Safe Surface Rim Strike Weather Resistant	110151-010
12V Fail Secure Surface Rim Strike	110152-000
12V Fail Secure Surface Rim Strike Weather Resistant	110152-010

Specification Statement

The electric strike must be suitable for surface mount applications for use with rim or surface mount door locks.

Where Power To Lock and Power To Open functions may be required in the same building, an individual strike is interchangeable from either "Power to Lock" or "Power to Open" on site.

The electric strike should not consume current greater than 243mA @ 12Vdc or 187mA @ 24Vdc. Certifications must include CE and C-Tick.

The strike should be tested to 1 million operations and have a minimum holding force not less than 680kg.